

# CROSS-X Series Burner



**HIGH EFFICIENCY - LOW EMISSIONS**

*CROSS-X Burners... for extreme environmental conditions.*

**NTFB**

*NTFB Shanghai Combustion Equipment Co., Ltd.  
168 Jinshajiang Rd, Jinshan Industrial Zone,  
Shanghai china 201506.*

 **NTFB**  
Combustion Equipment  
USA, Inc.

*NTFB COMBUSTION EQUIPMENT USA, INC.  
Add. 2875 Lakeview Ct, Fremont, CA 94538, USA*

**2875 Lakeview Ct. Fremont CA 94538 - USA / [info@ntfb.com](mailto:info@ntfb.com) / [www.ntfb.com](http://www.ntfb.com) / 1-510-443-0066**



## EMISSIONS

- Sub-15 ppm NO<sub>x</sub> on natural gas With FGR.
- CO levels are less than 50 ppm

*Note: Specific NO<sub>x</sub> & CO emissions depends on furnace geometry and heat release rate.*



## FEATURES

- **Low Emissions Design** produces a stable, highly efficient flame with an optimum fuel/air ratio.
- **Outstanding Flame Stability** through load changes and at high excess air levels.
- **Energy Efficient Design** combines the efficient use of variable speed fan controls along with flue gas recirculation (FGR) when Ultra Low NOx operation is required.





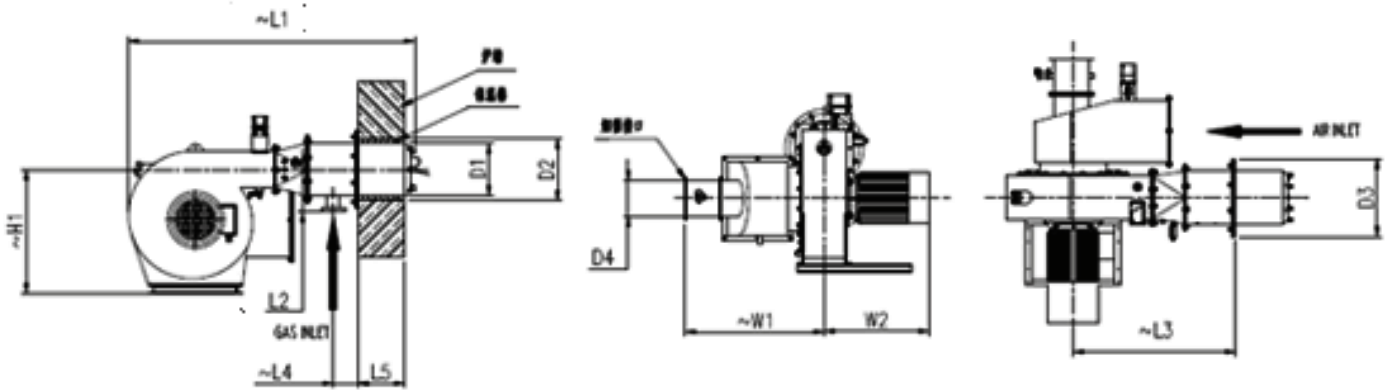
## TECHNICAL SPECS

**NTFB Burner Technical specs**

<b>Burner capacity (mmbtu/hr)</b>	<b>3</b>	<b>6</b>	<b>8</b>	<b>11</b>	<b>16</b>	<b>22</b>	<b>26</b>	<b>30</b>	<b>40</b>	<b>53</b>
applicable Standard	ASME CSD-1	ASME CSD-1	NFPA 85	NFPA 85	NFPA 85	NFPA 85	NFPA 85	NFPA 85	NFPA 85	NFPA 85
Efficiency	99.99%	99.99%	99.99%	99.99%	99.99%	99.99%	99.99%	99.99%	99.99%	99.99%
Turndown	5: 1	5: 1	5: 1	5: 1	5: 1	5: 1	5: 1	5: 1	5: 1	5: 1
Pipe size	DN40	DN50	DN50	DN65	DN80	DN80	DN100	DN100	DN100	DN125
NOx Emissions	<15 ppm	<15 ppm	<15 ppm	<15 ppm	<15 ppm	<15 ppm	<15 ppm	<15 ppm	<15 ppm	<15 ppm



## DIMENSIONS



燃烧器型号	功率 (MW)	电机功率 (KW)	R1(单位:mm)											
			L1	L2	L3	L4	L5	H1	W1	W2	D1(φ)	D2(φ)	D3(φ)	D4(DN)
GS11-01-I-04-B	0.7	5.5/7.5	1662	260	905	152	300	755	650	470	273	325	410	150
GS11-01-I-07-B	1.4	7.5	1662	260	905	152	300	755	650	470	273	325	410	150
GS11-01-I-10-B	2.1	11	1762	260	1010	155	300	770	740	648	325	380	480	200
GS11-01-I-13-B	2.8	11	1762	260	1010	155	300	770	740	648	325	380	480	200
GS11-01-I-19-B	4.2	18.5	2040	245	1145	200	350	855	765	695	426	480	580	200
GS11-01-I-26-B	5.6	22	2040	245	1050	200	350	855	765	695	426	480	580	200
GS11-01-I-33-B	7.0	30	2310	395	1270	245	420	1085	950	862	550	590	690	250
GS11-01-I-39-B	8.4	37	2310	395	1270	245	420	1180	1000	880	550	590	690	250
GS11-01-I-49-B	10.5	55	2470	495	1265	220	520	1270	1200	985	670	700	800	350
GS11-01-I-65-B	14.0	75	2470	495	1265	220	520	1270	1500	990	670	700	800	400

备注: L4为燃烧器总长度(含底座); 2.GS11-01-I-49-B、GS11-01-I-45-B可配分体底座, 具体尺寸请咨询厂家生产部人员。



## FEATURES

Durable stainless steel burner throat avoids the need of custom refractory and its high maintenance.

VSD allows control of optimum fan speed to efficiently match with field conditions.

Engineered arrangement of cross-sectional air flow produces a dynamic air/fuel balance for an optimum turndown ratio.

Reliable Ignition system with an exceptionally stable pilot



# Your partner on burner projects, NTFB.

## CONTACT US

NTFB Combustion Equipment USA, Inc.  
2875 Lakeview Court  
Fremont, CA. 94538  
USA

Phone: 510.443.0066  
Fax: 510.443.0069  
Web: [www.ntfb.com](http://www.ntfb.com)  
Email: [info@ntfb.com](mailto:info@ntfb.com)

2875 Lakeview Court, Fremont, CA 94538, USA  
[www.ntfb.com](http://www.ntfb.com) - 510.443.0066 - [info@ntfb.com](mailto:info@ntfb.com)



Copyright © 2012 - 2018 NTFB combustión Equipo EE.UU., Inc. Todos los derechos reservados. El logotipo NTFB es una marca comercial y de servicio de los equipos de combustión NTFB EE.UU., Inc. El contenido de esta publicación se presenta con fines informativos solamente y, aunque se han realizado todos los esfuerzos posibles para asegurar su exactitud, no son para ser interpretados como garantía, expresa o implícita, con respecto a los productos o servicios descritos en este documento o de su uso o aplicabilidad. Todas las ventas se rigen por nuestros términos y condiciones, que están disponibles bajo petición. NTFB se reserva el derecho a modificar o mejorar los datos, diseños o especificaciones de nuestros productos en cualquier momento sin previo aviso.